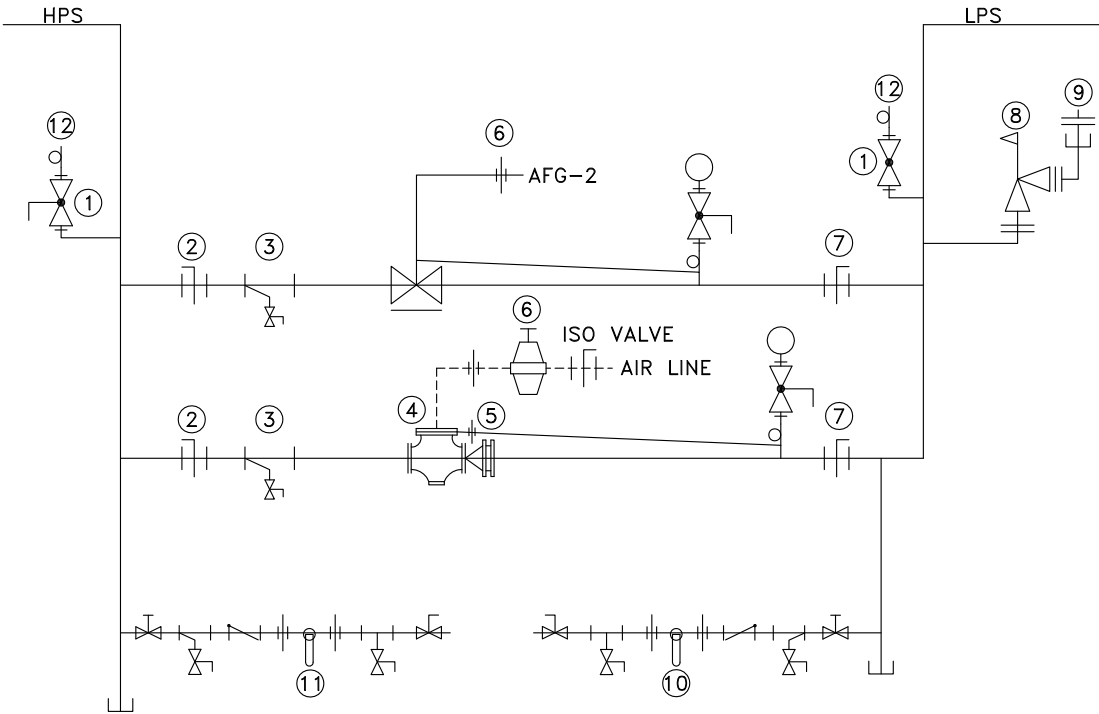


UNIVERSITY OF COLORADO STEAM PRESSURE REDUCING STATION – SINGLE STAGE

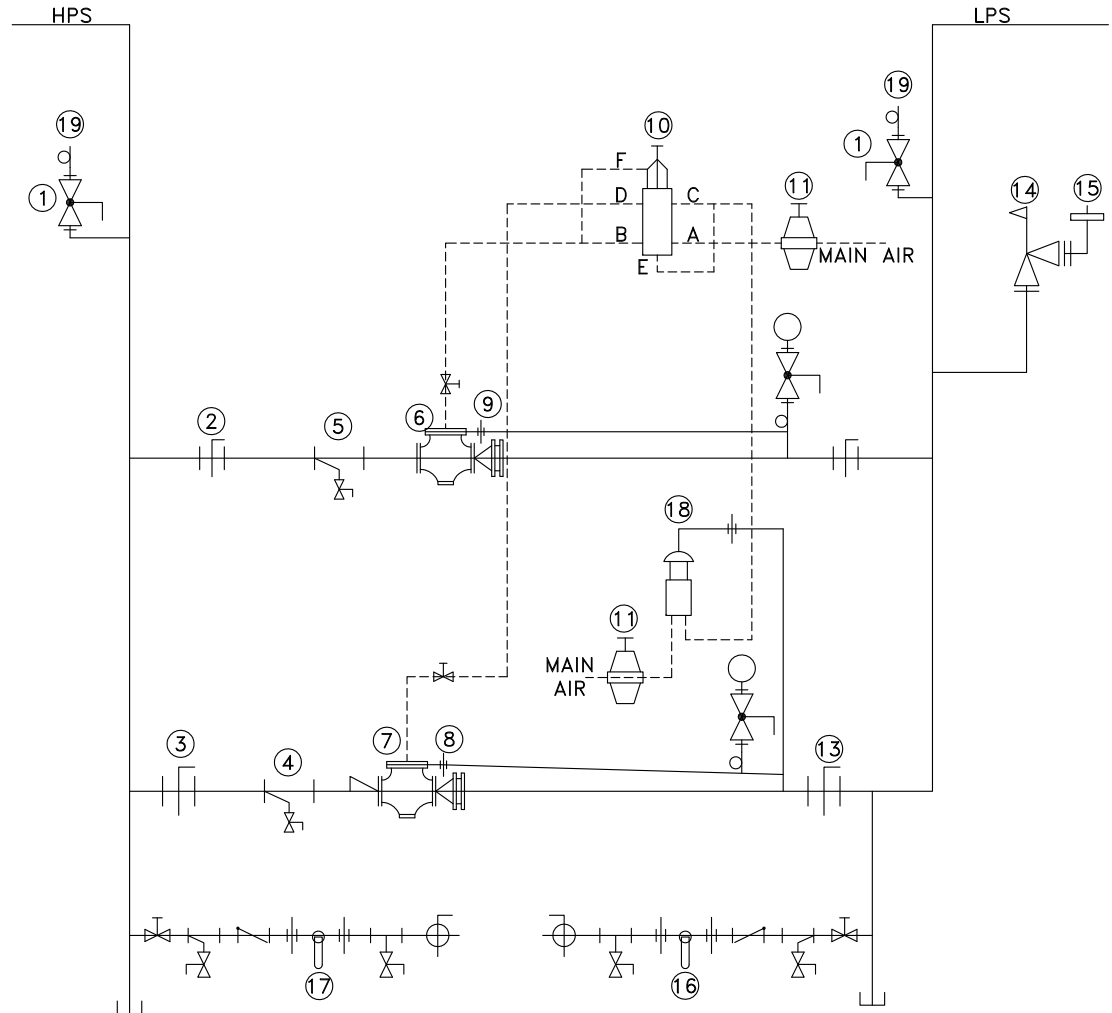
- ① NA
- ② ISO VALVE HIGH PRESSURE SIDE
- ③ CAST STEEL STRAINER
- ④ LESLIE GPK REDUCING VALVE
- ⑤ LESLIE MUFFLING ORFICE PLATE AS NEEDED.
- ⑥ LESLIE AF-2 AIR MATE
- ⑦ ISO VALVE – LOW PRESSURE SIDE
- ⑧ SAFETY RELIEF VALVE (SIZED BY LESLIE REP.)
- ⑨ DRIP PAN EL
- ⑩ LOW PRESSURE SIDE – DRIP (3/4")
- ⑪ HIGH PRESSURE SIDE – DRIP (3/4")
- ⑫ DRY PRESSURE GAUGE (4" FACE)



UNIVERSITY OF COLORADO STEAM-TRANSFER SYSTEM SINGLE STAGE REDUCTION PRESSURE STATION NO REDUNDANCY

DRAWING B

- ① NA
- ② ISO-VALVE - LOW FLOW (25%) HIGH PRESSURE SIDE
- ③ ISO-VALVE - HIGH FLOW (100%) LOW PRESSURE SIDE
- ④ CAST STEEL STRAINER HIGH FLOW
- ⑤ CAST STEEL STRAINER LOW FLOW
- ⑥ LESLIE D-BOY LOW FLOW
- ⑦ LESLIE D-BOY HIGH FLOW
- ⑧ LESLIE ORFICE PLATE - HIGH FLOW AS NEEDED
- ⑨ LESLIE ORFICE PLATE - LOW FLOW AS NEEDED
- ⑩ LESLIE INTERLOCKING TRANSFER VALVE
- ⑪ LESLIE AF-2 AIR MATE
- ⑫ ISO VALVE - LOW FLOW - LOW PRESSURE SIDE
- ⑬ ISO VALVE - HIGH FLOW - LOW PRESSURE SIDE
- ⑭ SAFETY RELIEF VALVE (SIZED BY LESLIE REP.)
- ⑮ DRIP PAN EL (AS CLOSE TO SRV AS POSSIBLE)
- ⑯ LOW PRESSURE SIDE DRIP (3/4")
- ⑰ HIGH PRESSURE SIDE DRIP (3/4")
- ⑱ LESLIE PRA PILOT
- ⑳ DRY PRESSURE GAUGE

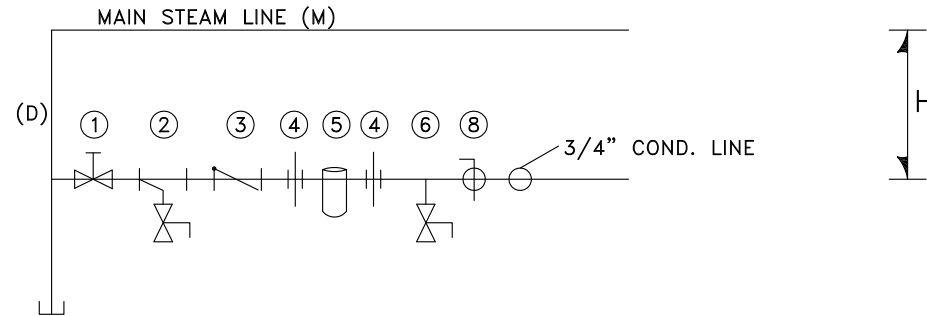


C.U. STANDARD FOR STEAM MAINS

DRAWING C

MAIN DRIP

- ① FORGED STEEL GATE VALVE
- ② CAST STEEL OR CAST IRON 250#, PENDING PRESSURE, STRAINER WITH BLOWDOWN (MAYBE CAST STEEL OR CAST IRON 250# PENDING PRESSURE)
- ③ S.S. SPRING CHECK
- ④ 250# MALLABLE
- ⑤ ARMSTRONG INVERTED BUCKET TRAP (2011pc)
- ⑥ FORGED STEEL TEE W BALL VALVE FOR TESTING TRAP
- ⑦ NA
- ⑧ CARBON STEEL STEAM RATED BALL VALVE

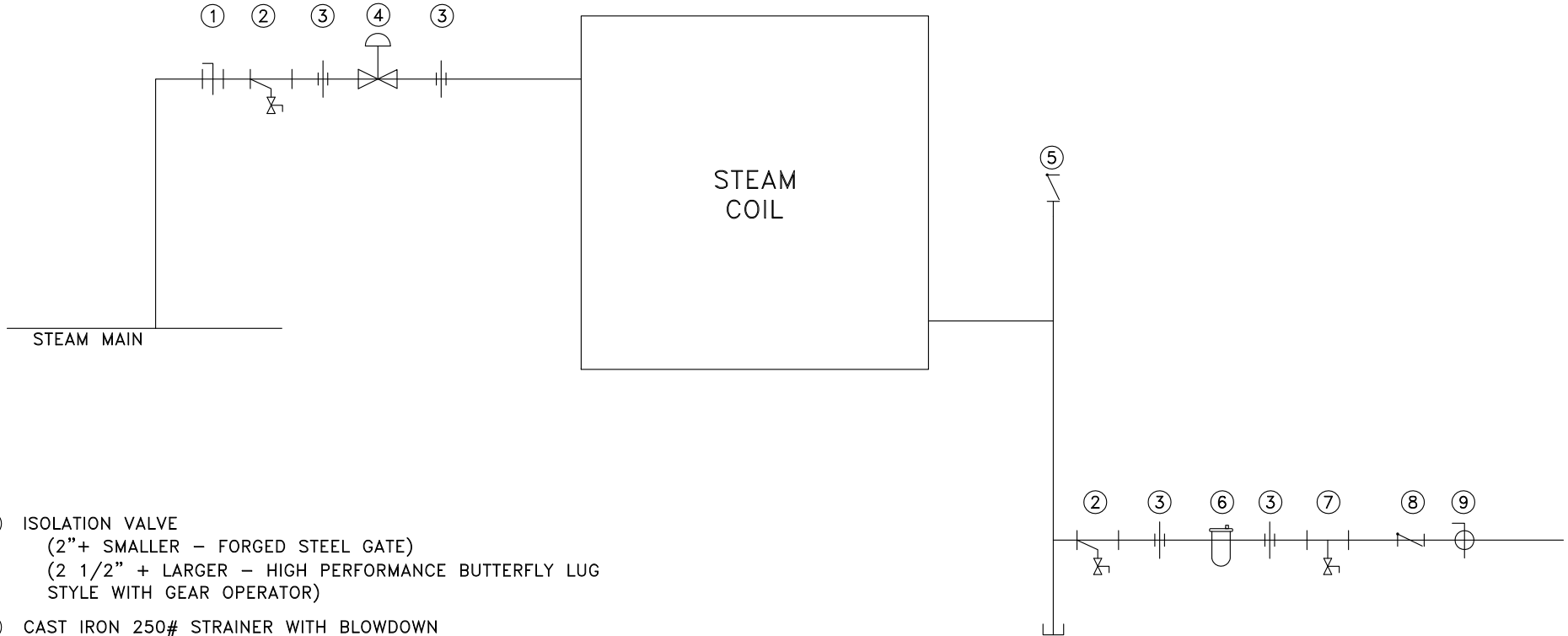


TRAP SIZED AT 3 TO 1 AT OPERATING PRESSURE DIFFERENTIALS

<u>M</u> STEAM MAIN SIZE (IN.)	<u>D (MIN.)</u> DRIP LEG DIAM. (IN.)	<u>H</u> DRIP LEG LENGTH MIN. (IN.)
2	2	10
3	3	10
4	4	10
6	4*	10
8	4*	12
10	6*	15
12	6*	18

* MINIMUM

TYPICAL PIPING FOR STEAM COIL



- ① ISOLATION VALVE
(2"+ SMALLER - FORGED STEEL GATE)
(2 1/2" + LARGER - HIGH PERFORMANCE BUTTERFLY LUG
STYLE WITH GEAR OPERATOR)
- ② CAST IRON 250# STRAINER WITH BLOWDOWN
- ③ 250# MALLABLE (2"+SMALLER)
WELD NECK FLANGE (2 1/2" + LARGER)
- ④ POWERS FLO-RITE II CONTROL VALVE WITH POWER POSITIONER
- ⑤ VACUUM BREAKER (JOHNSON OR SARCO)
- ⑥ STEAM TRAP
- ⑦ FORGED STEEL TEE WITH BALL VALVE FOR TESTING
- ⑧ SWING CHECK
- ⑨ CARBON STEEL STEAM RATED BALL VALVE

DRAWING E

